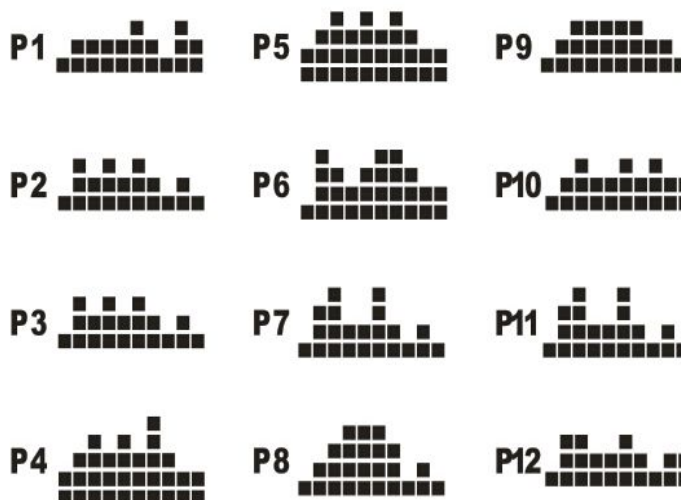


9. Программы

В режиме программы тановите врем тренировки Е минмин интервал.

	1	2	3	4	5	6	7	8	9	10
P1	1	2	2	2	2	3	2	1	3	2
P2	1	3	2	3	2	3	2	1	2	1
P3	1	3	2	3	2	3	2	1	2	1
P4	2	3	4	3	4	3	5	3	2	2
P5	2	3	4	3	4	3	4	3	2	2
P6	1	4	3	2	3	4	4	3	2	2
P7	1	3	4	2	2	4	2	1	2	1
P8	1	2	3	4	4	4	3	1	2	1
P9	1	2	3	3	3	3	3	2	2	1
P10	1	2	3	2	2	3	2	3	2	2
P11	1	3	4	2	2	4	2	1	2	1
P12	1	3	3	2	2	3	2	1	2	2

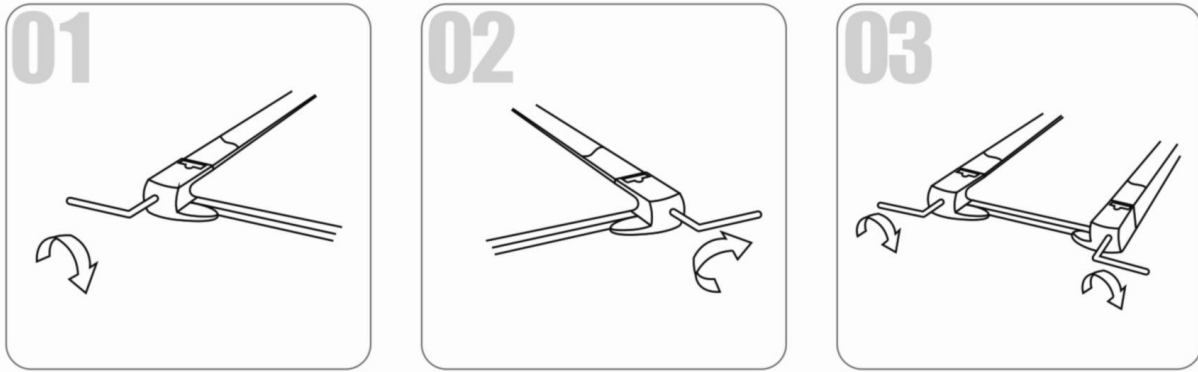


10. ИСПОЛЬЗОВАНИЕ СМАЗКИ



Сил но пот ните беговое полотно. Затем нане ите иликоновое ма ло на еку. Затем апу тите трена ер на минуты бе нагру ки. Лу е при ер иват то про е уре ка ые 0 а ов работы трена ера. то помо ет увели ит рок лу бы трена ера.

11. Регулировка бегового полотна



(1) Running belt deviate to left

Start the machine by speed at 2-3Km/h without loading, use die nut to make the screw go 1/4 circle(see fig1). Then make the machine running without loading 1-2 minutes. Please adjust like this to make the belt till to mid place.

(2) Running belt deviate to right

Start the machine by speed at 2-3Km/h without loading, use die nut to make the screw go 1/4 circle(see fig2). Then make the machine running without loading 1-2 minutes. Please adjust like this to make the belt till to mid place.

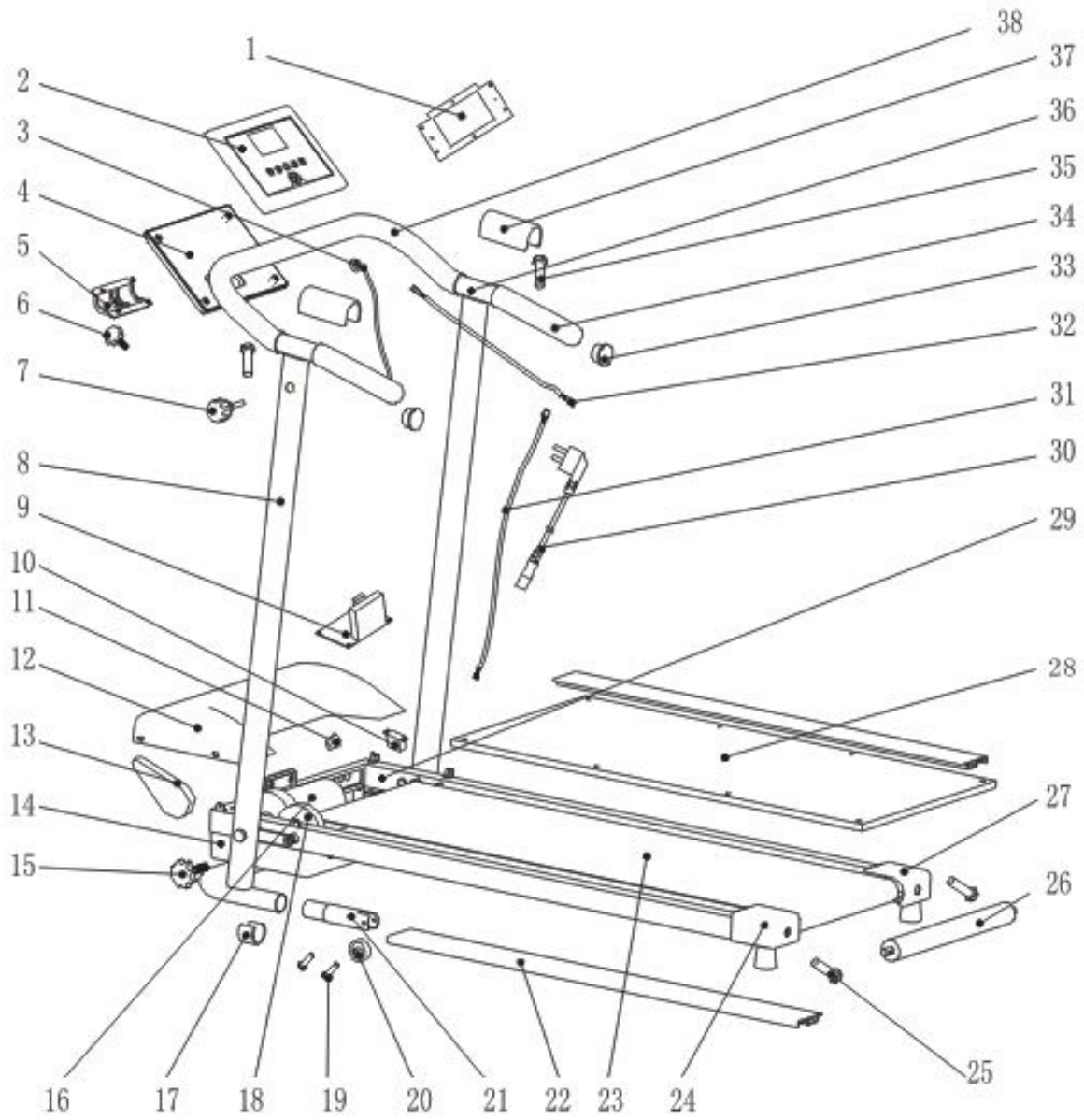
(3) Running belt logjam

If the running belt is in dead condition, use die nut to make the screw 1/2 circle both left and right till this logjam solved.

12. Daily Maintain

1. Please switch off and cut off power before checking the machine or clearance.
2. Clear belt and dial plate after used, one time every week at least.
3. Check and tight screws and spines at fixed period.
4. Do not hang up clothes etc to the machine,

13. Overview Drawing



PARTS LIST

No.	Name	Q'ty	No.	Name	Q'ty
1	button board	1	20	wheel	2
2	computer upper cover	1	21	foot tube	2
3	safe key	1	22	side rial	2
4	computer bottom cover	1	23	running belt	1
5	computer rear cover	1	24	left end cap	1
6	locking knob	1	25	screw	2
7	tensile knob	1	26	rear roller	1
8	upright tube R&L	1	27	right end cap	1
9	PCB controller	1	28	running board	1
10	transformer	1	29	mainframe	1
11	power switch	1	30	power cord	1
12	motor upper cover	1	31	connect upper line	1
13	belt	1	32	connect bottom line	1
14	motor bottom cover	1	33	end cap	2
15	fix knob	1	34	grip	2
16	motor	1	35	screw	2
17	Semicircle MATS	1	36	handlebar	2
18	front roller	1	37	handle cover	2
19	screw	2	38	jacket	2